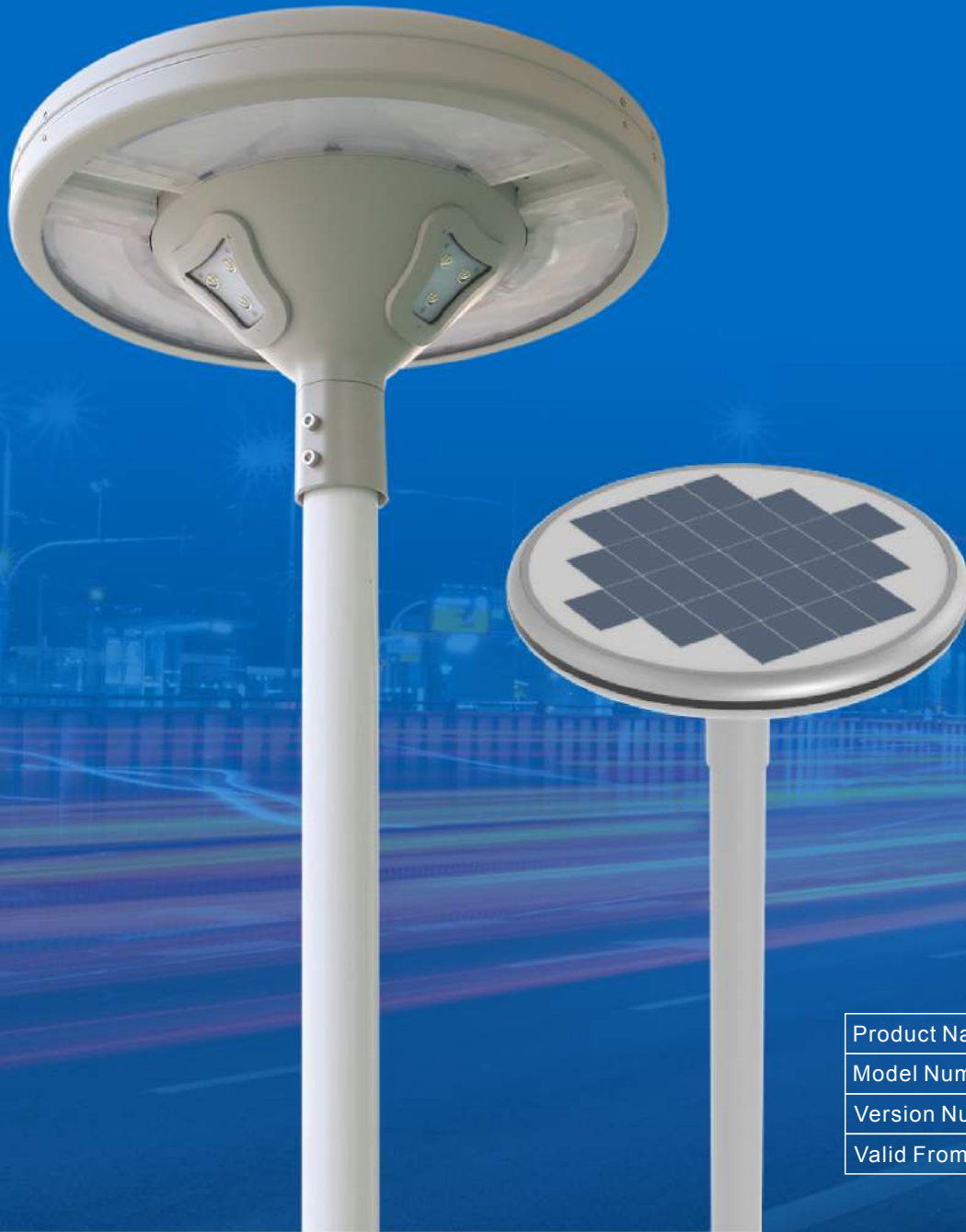


# SOLAR GARDEN LIGHT SPECIFICATION (BST SERIES)



**SASO UN38.3 IP66**



Product Name	(BST SERIES)
Model Number	XSY-BST-16
Version Number	A version
Valid From	2018 / 1 / 01

## BST Series Solar Garden Light

**Model No.:** XSY-BST-16

**Power:** 16W



### Parameters

Model No	XSY-BST-16
LED Chip	SMD 2835
Color Temperature	5000k-6500k (white, optional blue or green)
Light Output	16W
Light Efficacy	2500lm
Solar Panel Power	25W
Solar Panel (conversion rate)	18%
Charging Time	10-11 hours(6-7 hours full bright sun from zero)
Working Time	Bright mode: 18 hours DIM mode: 36 hours ( 3 rainy days backup)
DIM Mode (Default)	First 5 hours: 50% brightness, Last 5 hours in dimmable mode (2000lm with people, 200lm without people)
Beam Angle	360degree
Recommended Installation Height	3-5 meters
Recommended Installation Distance	10-20 meters
Required Pole Size	60mm(top end)
Battery	138.8WH
Warranty	2 years
Working Temperature	-20 °C to 60 °C

## Features

1、 Dual light distribution design



2、 Professional landscape lighting distribution, 360 degree beam angle



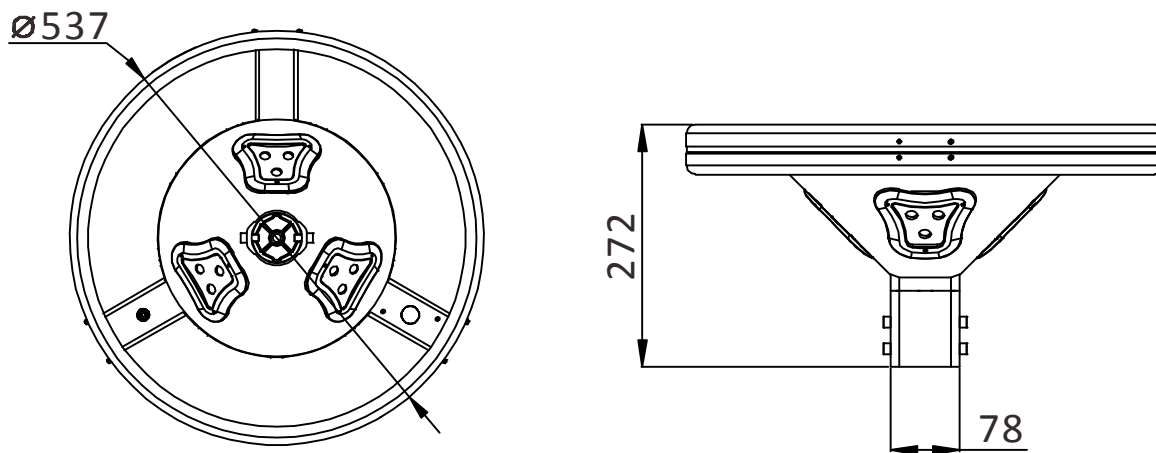
3、 Two working modes: energy saving mode and strong light mode

4、 Customizable lamp colors(red,green, blue, white).



## Drawing

Unit: mm



## Applications

